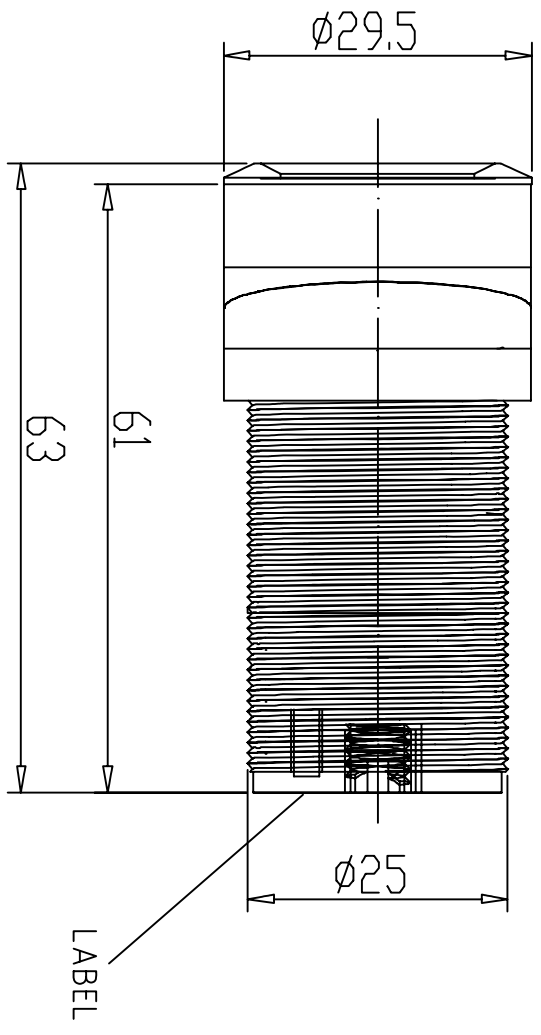
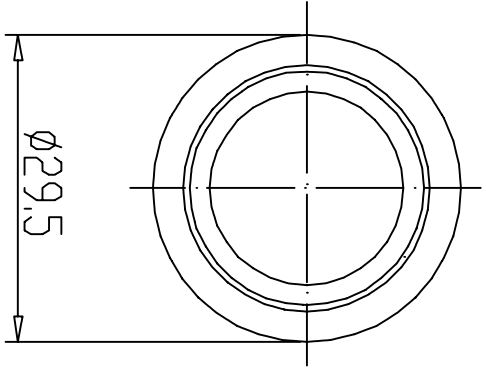


RevNo	Revision note	Date	Signature	Checked



Item ref	Quantity	Title/Name, designation, material, dimension etc			Article No./Reference	
Designed by DKERAI		Checked by DKERAI	Approved by - date DKERAI - 12/01/06	File name dk	Date 12/01/06	Scale N/A
BRIGADE ELECTRONICS			VBV-475C			
			BE-000455-00-07		Edition A	Sheet 1/1

PROPRIETARY NOTICE
 THIS DESIGN AND TECHNICAL INFORMATION APPEARING ON THIS DRAWING IS THE PROPERTY OF BRIGADE ELECTRONICS PLC, AND IS DISCLOSED IN CONFIDENCE. IT IS NOT TO BE COPIED, REPRODUCED, REVEALED TO OR APPROPRIATE BY OTHERS, EITHER IN WHOLE OR IN PART WITHOUT THE EXPRESS WRITTEN CONSENT OF BRIGADE ELECTRONICS PLC.